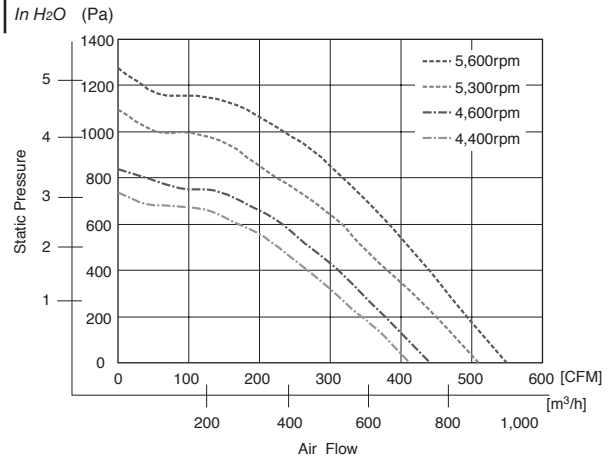




Characteristic Curves



General Specifications

Motor Protection:

Locked Rotor, Reverse Polarity

Insulation Resistance:

10M Ω min measured with 500V DC between all leads shorted together and case

Dielectric Withstand Voltage: AC 500V 1 minute

Allowable Ambient Temperature Range:

-30°C ~ +70°C (Operating)
-40°C ~ +80°C (Storage)

Expected Life

L10 Life:

40°C 70,000 Hours

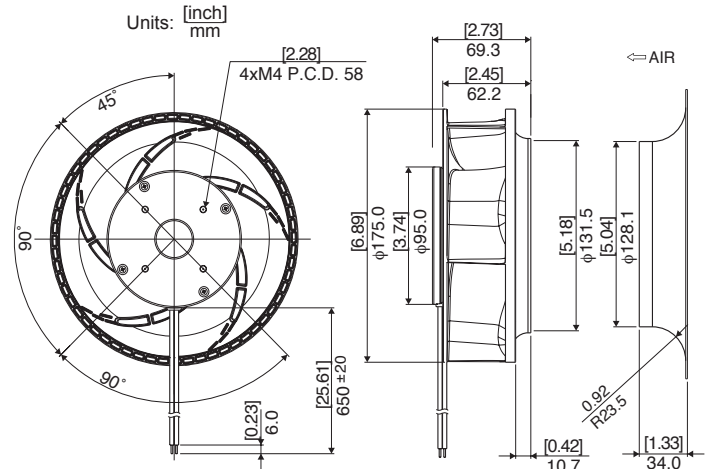
Material

Impeller : Plastic

Bearing : Ball Bearing

Lead Wire : UL1015, AWG18, +Red, -Black,
Speed Control = Yellow
Speed Signal = White

Outline



Specifications

MODEL	Rated Voltage	Operating Voltage	Current	Input Power	Speed	Max. Air Flow		Max. Static Pressure		Noise	Mass
	(V)	(V)	(A) ^{*1}	(W) ^{*1}	(min ⁻¹) ^{*1}	CFM ^{*1}	(m ³ /hr) ^{*1}	in H ₂ O	(Pa) ^{*1}	(dB) ^{*1}	(g)
F175A1-062-D0750	48	30 ~ 72	2.5	120.0	5600	550	934	5.25	1313	78	1000
F175A2-062-D0740	48	30 ~ 72	1.4	67.2	4600	453	770	3.61	903	73	1000
F175A3-062-D0550	24	18 ~ 30	4.3	103.2	5300	520	883	4.79	1198	77	1000
F175A4-062-D0540	24	18 ~ 30	2.6	62.4	4400	429	729	3.31	828	72	1000

Rotation: Clockwise looking at Air Inlet

*1: Average Values in Free Air and Rated Voltage Condition